

Connect P2 of the primary clock to P6A of the redundant clock (and vice versa).
Note: P3 must be configured to output unmodulated IRIG-B with IEEE 1344 extensions enabled.

Primary Clock - TCG 01-E Order Code: K1E-HCPT15-N

Product features:

I/O	Description
P1	High voltage power supply range (90-300 Vdc)
P2	TTL programmable output (BNC)
P3	TTL programmable output (2 pin)
P4	Serial/ RS232 output (DB9 connector)
P5	AM IRIG-B output (BNC)
P6A	TTL DC IRIG-B Input (2 pin)
P6B	TTL Input (2 pin)
P7A	IRIG-B Input monitoring relay (2 pin)
P7B	Sync status relay (2 pin)
P8	NTP/ SNTP Network time server and configuration port (RJ45)

Temperature compensated oscillator

Included accessories:

- Timing optimized antenna
- 15 m LMR240 ultraflex low loss cable
- 19" dual clock rack-mount kit
- 2m UTP CAT5e Ethernet cable
- Configuration software
- User manual

Secondary Clock - TCG 01-E Order Code: K1E-HCPT15-N


Product features:

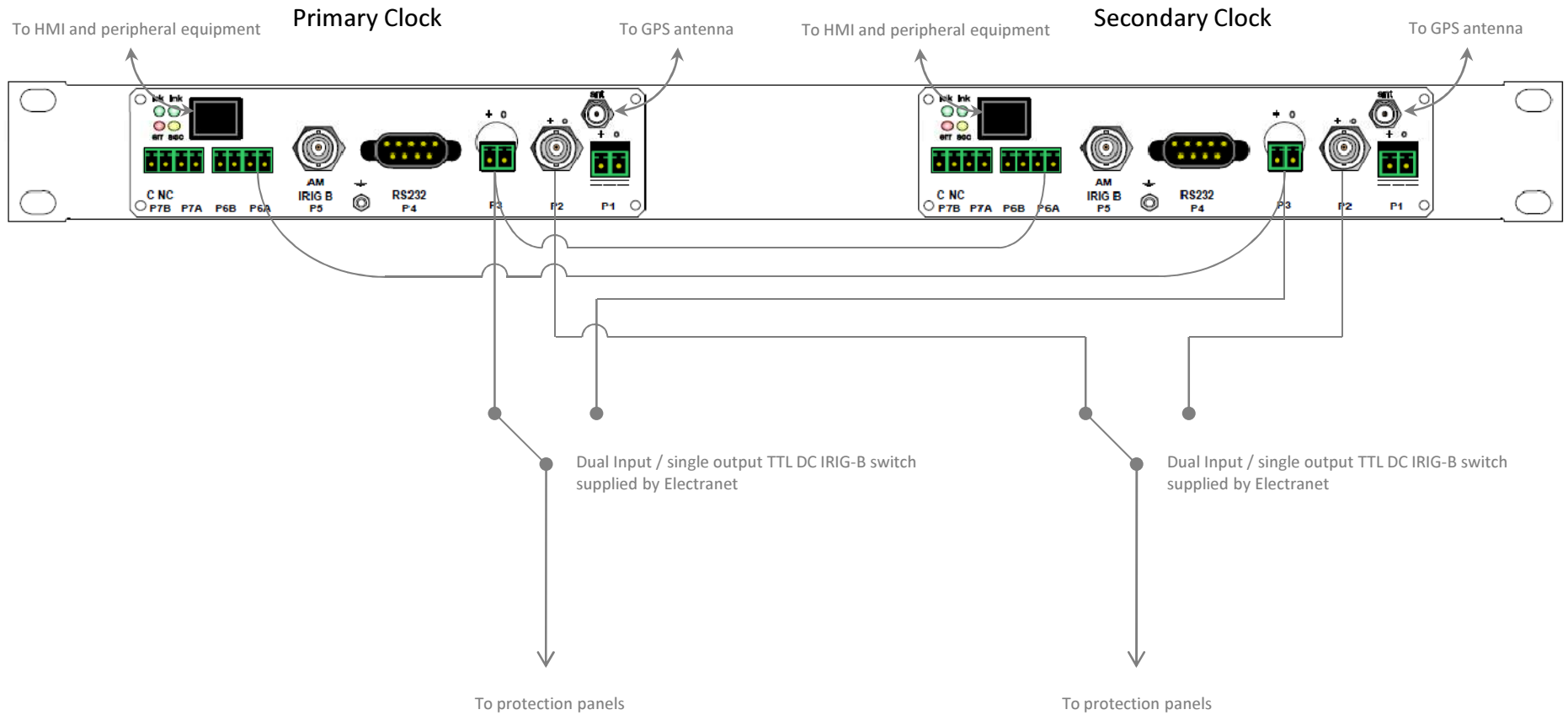
I/O	Description
P1	High voltage power supply range (90-300 Vdc)
P2	TTL programmable output (BNC)
P3	TTL programmable output (2 pin)
P4	Serial/ RS232 output (DB9 connector)
P5	AM IRIG-B output (BNC)
P6A	TTL DC IRIG-B Input (2 pin)
P6B	TTL Input (2 pin)
P7A	IRIG-B Input monitoring relay (2 pin)
P7B	Sync status relay (2 pin)
P8	NTP/ SNTP Network time server and configuration port (RJ45)

Temperature compensated oscillator

Included accessories:

- Timing optimized antenna
- 15 m LMR240 ultraflex low loss cable
- 2m UTP CAT5e Ethernet cable
- Configuration software
- User manual

	<p>TCG 01-E Dual Clock System</p>	<p>100812 Revision 1 Drawing 001 MG</p> 
--	--	---



TCG 01-E Dual Clock System

100812 Revision 1
 Drawing 002
 MG

